

IEC Appliance Inlet C14 or C18, Screw-on Mounting, Rear Side, PCB terminals



See below:

[Approvals and Compliances](#)

Description

- Panel mount , Screw-on mounting rear-side
- 1 Function :
 Appliance Inlet , Pin temperature 70 °C , protection class I or II
- V-Lock notch standard
- For PCB mounting

Other versions on request

- Article with enhanced glow wire resistance according IEC 60695-2-11 or -12 & -13
- Ground terminal with quick-connect terminal 6,3 x 0,8 mm
- With solder terminals

References

Weblinks

[pdf data sheet](#), [html datasheet](#), [General Product Information](#), [Approvals](#), [Distributor-Stock-Check](#), [Accessories](#), [Detailed request for product](#)

Technical Data

| | | | |
|-----------------------------------|--|-------------------------|---|
| Ratings IEC | 10A / 250VAC; 50Hz | Appliance inlet/-outlet | C14 / C18 acc. to IEC 60320-1, UL 60320-1, CSA C22.2 no. 60320-1 (for cold conditions) pin-temperature 70 °C, 10A, Protection Class I or II |
| Ratings UL/CSA | 15A / 250VAC; 60Hz | | |
| Dielectric Strength | > 3kVAC between L-N > 3kVAC between L/N-PE (1 min/50Hz) | | |
| Allowable Operation Temperature | -25 °C to 70 °C | | |
| IP-Protection | front side IP40 acc. to IEC 60529 | | |
| Protection against electric shock | Suitable for appliances with protection class I or II acc. to IEC 61140 | | |
| Terminal | For PCB mounting : Ground terminal: Quick connect terminals 4.8 x 0.8 mm angled or straight Solder terminal on request | | |
| Panel Thickness S | Screw: max 3 mm Mounting screw torque max 0.5Nm | | |
| Material: Housing | Thermoplastic, black, UL 94V-0 | | |

Approvals and Compliances

Detailed information on product approvals, code requirements, usage instructions and detailed test conditions can be looked up in [Details about Approvals](#)

SCHURTER products are designed for use in industrial environments. They have approvals from independent testing bodies according to national and international standards. Products with specific characteristics and requirements such as required in the automotive sector according to IATF 16949, medical technology according to ISO 13485 or in the aerospace industry can be offered exclusively with customer-specific, individual agreements by SCHURTER.

Approvals

The approval mark is used by the testing authorities to certify compliance with the safety requirements placed on electronic products.

Approval Reference Type: GSP1

| Approval Logo | Certificates | Certification Body | Description |
|---------------|-------------------------------|--------------------|--|
| | VDE Approvals | VDE | Certificate Number: 40012767 |
| | UL Approvals | UL | UR File Number: E96454 |
| | CCC Approvals | CCC | CCC Certificate Number: 2020180204014251, 2020180204014252 |


Product standards

Product standards that are referenced

| Organization | Design | Standard | Description |
|--|-----------------------|-----------------------|---|
|  | Designed according to | IEC 60320-1 | Appliance couplers for household and similar general purposes |
|  | Designed according to | UL 60320-1 | Standard for Attachment Plugs and Receptacles |
|  | Designed according to | CSA C22.2 no. 60320-1 | General Use Receptacles, Attachment Plugs, and Similar Wiring Devices |







Application standards

Application standards where the product can be used

| Organization | Design | Standard | Description |
|--|--------------------------------|----------------|---|
|  | Suitable for applications acc. | IEC/UL 62368-1 | Audio/video, information and communication technology equipment - Part 1: Safety requirements |

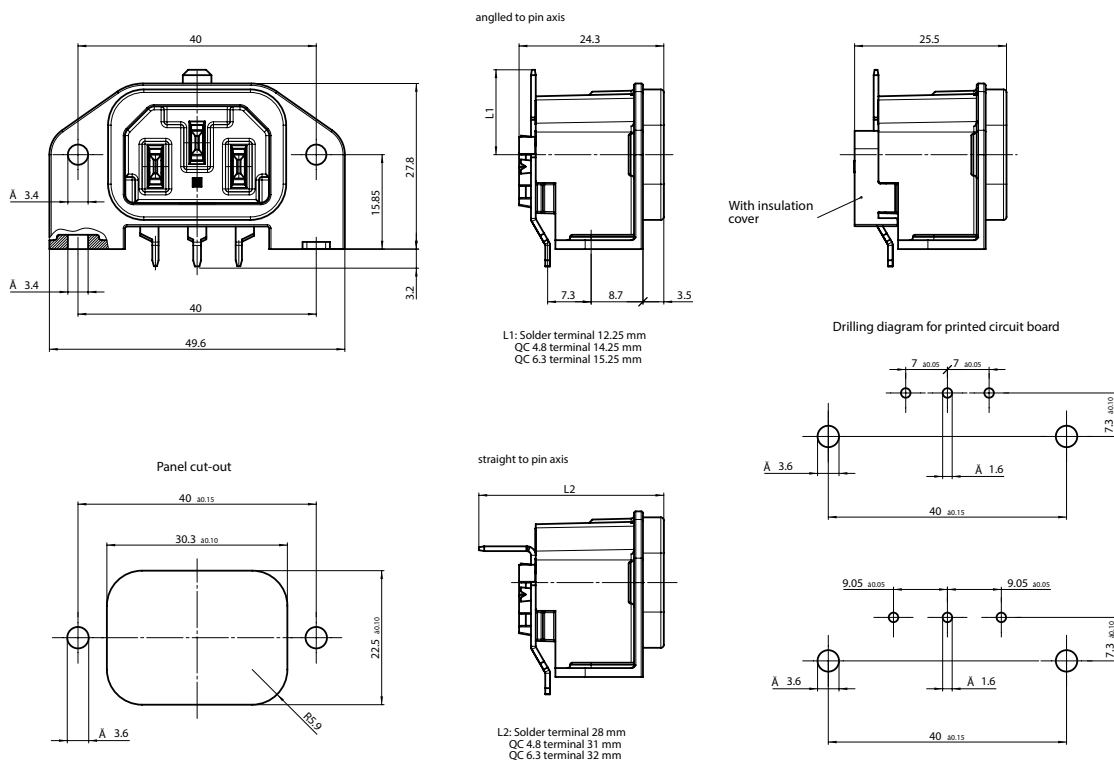
Compliances

The product complies with following Guide Lines

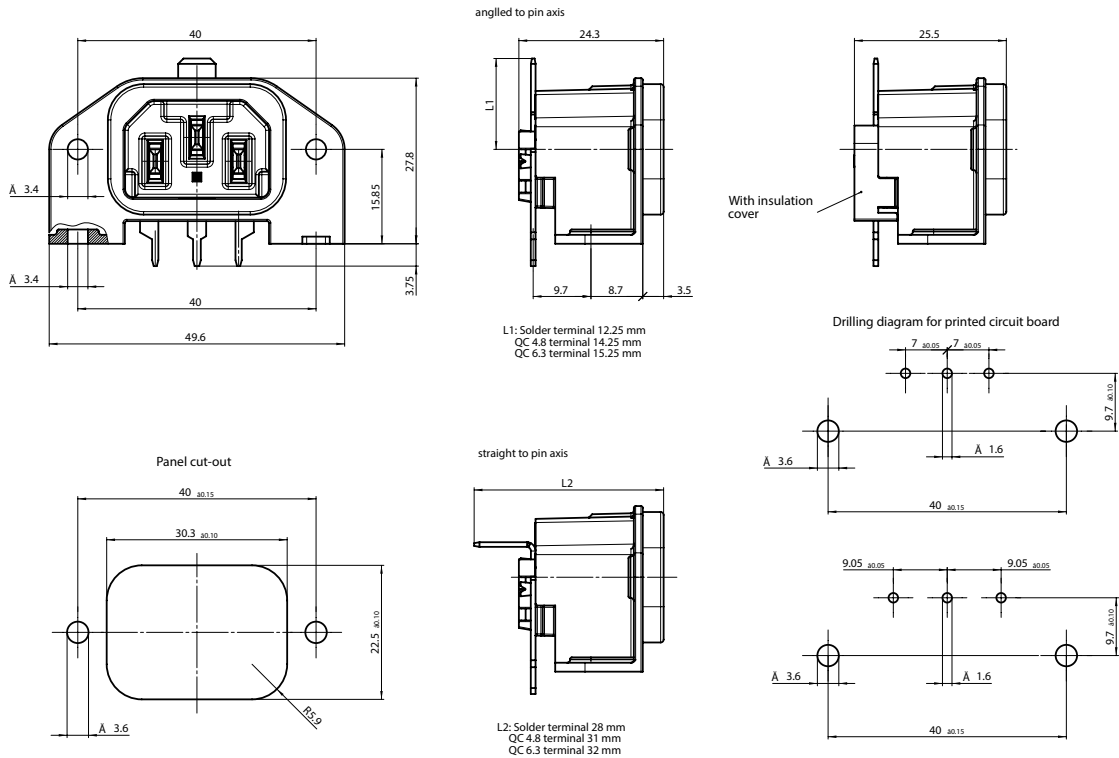
| Identification | Details | Initiator | Description |
|--|--|-------------|--|
|  | CE declaration of conformity | SCHURTER AG | The CE marking declares that the product complies with the applicable requirements laid down in the harmonisation of Community legislation on its affixing in accordance with EU Regulation 765/2008. |
|  | UKCA declaration of conformity | SCHURTER AG | The UKCA marking declares that the product complies with the applicable requirements laid down in the British Amendment of Regulation (EC) 765/2008. |
|  | RoHS | SCHURTER AG | Directive RoHS 2011/65/EU, Amendment (EU) 2015/863 |
|  | China RoHS | SCHURTER AG | The law SJ / T 11363-2006 (China RoHS) has been in force since 1 March 2007. It is similar to the EU directive RoHS. |
|  | REACH | SCHURTER AG | On 1 June 2007, Regulation (EC) No 1907/2006 on the Registration, Evaluation, Authorization and Restriction of Chemicals 1 (abbreviated as "REACH") entered into force. |
|  | | SCHURTER AG | V-Lock system are based on a matching plug-dose combination. The connector is equipped with a notch intended for use with the latching cordset. The cord latching system prevents against accidental removal of the cordset. |

Dimensions [mm]

PIN: Spacing 7 / 7.3mm or 9.05 / 7.3mm



PIN: Spacing 7 / 9.7mm or 9.05 / 9.7mm



All Variants

| Protection Class | PCB terminal spacing | Mounting flange with | Ground terminal 4.8 x 0.8 mm | Cover | Order Number |
|------------------|----------------------|--|------------------------------|-------|--------------|
| I | 7/7.3 | PCB side through holes, panel side pre-inserted nuts | in line with PIN-axis | ● | GSP1.9413.1 |
| I | 7/7.3 | holes for screws M3 | angled to pin axis | | GSP1.9101.1 |
| I | 7/7.3 | holes for screws M3 | in line with PIN-axis | | GSP1.9103.1 |
| I | 7/7.3 | holes for screws M3 | in line with PIN-axis | ● | GSP1.9113.1 |
| I | 7/7.3 | holes for self-tapping screws 3mm, 4 screws enclosed | in line with PIN-axis | | GSP1.9503.1 |
| I | 7/7.3 | pre-inserted nuts M3, 4 pcs. | in line with PIN-axis | | GSP1.9203.1 |
| I | 9.05/9.7 | PCB side through holes, panel side pre-inserted nuts | angled to pin axis | | GSP1.8401.1 |
| I | 9.05/9.7 | holes for screws M3 | angled to pin axis | | GSP1.8101.1 |
| I | 9.05/9.7 | holes for screws M3 | angled to pin axis | ● | GSP1.8111.1 |
| I | 9.05/9.7 | holes for screws M3 | in line with PIN-axis | | GSP1.8103.1 |
| I | 9.05/9.7 | holes for self-tapping screws 3mm, 2 screws enclosed | angled to pin axis | | GSP1.8601.1 |
| I | 9.05/9.7 | holes for self-tapping screws 3mm, 2 screws enclosed | in line with PIN-axis | ● | GSP1.8613.1 |
| I | 9.05/9.7 | holes for self-tapping screws 3mm, 4 screws enclosed | angled to pin axis | | GSP1.8501.1 |
| I | 9.05/9.7 | holes for self-tapping screws 3mm, without screws | angled to pin axis | | GSP1.8701.1 |
| I | 9.05/9.7 | pre-inserted nuts M3, 4 pcs. | angled to pin axis | | GSP1.8201.1 |
| I | 9.05/9.7 | pre-inserted nuts M3, 4 pcs. | angled to pin axis | ● | GSP1.8211.1 |
| I | 9.05/9.7 | pre-inserted nuts M3, 4 pcs. | in line with PIN-axis | | GSP1.8203.1 |
| II | 7/7.3 | holes for screws M3 | - | | GSP1.9100.1 |
| II | 7/7.3 | holes for screws M3 | - | ● | GSP1.9110.1 |
| II | 7/7.3 | holes for self-tapping screws 3mm, 4 screws enclosed | - | | GSP1.9500.1 |
| II | 7/7.3 | pre-inserted nuts M3, 4 pcs. | - | | GSP1.9200.1 |
| II | 9.05/9.7 | holes for screws M3 | - | | GSP1.8100.1 |
| II | 9.05/9.7 | holes for screws M3 | - | ● | GSP1.8110.1 |
| II | 9.05/9.7 | holes for self-tapping screws 3mm, 4 screws enclosed | - | | GSP1.8500.1 |
| II | 9.05/9.7 | pre-inserted nuts M3, 4 pcs. | - | | GSP1.8200.1 |

Availability for all products can be searched real-time: <https://www.schurter.com/en/info-center/support-tools/stock-check-distributors>

Packaging unit

50 Pcs

Mating Outlets/Connectors

Category / Description

[Connector Overview complete](#)



| | |
|---|---------|
| 4782 Mounting: Power Cord, 3 x 1 mm ² / 3 x 18 AWG, Cable, Connector: IEC C13 | 4782 |
| 4785 Mounting: Power Cord, 3 x 1 mm ² / 3 x 18 AWG, Cable, Connector: IEC C13 | 4785 |
| 4300-06 Mounting: Power Cord, 3 x 1 mm ² / 3 x 18 AWG, Cable, Connector: IEC C13 | 4300-06 |
| 4781 Mounting: Power Cord, Cable, Connector: IEC C15 | 4781 |
| 4784 Mounting: Power Cord, 3 x 1 mm ² / 3 x 18 AWG, Cable, Connector: IEC C15 | 4784 |

[Interconnection Cord Overview complete](#)



| | |
|--|-----------|
| Cord Sets 10 A, Interconnection, 2.0 m, IEC H05VV-F3G1.0, black | 6007.0204 |
| Cord Sets 10 A, Interconnection, 1.0 m, Connector IEC C13, H05VV-F3G1.0, black | 6007.0212 |
| Cord Sets 10 A, Interconnection, 2.0 m, Connector IEC C13, H05VV-F3G1.0, black | 6007.0214 |

[Power Supply Cord Overview complete](#)



| | |
|--|-----------|
| Cord Sets 10 A, Europlug, 2.5 m, Connector IEC C13, H05VV-F3G1.0, black | 6004.0215 |
| Cord Sets 10 A, Europlug, 2.5 m, Connector IEC C13, H05VV-F3G1.0, black | 6003.0215 |
| Cord Sets 10 A, uninsulated wires, 2.0 m, Connector IEC C13, H05VV-F3G1.0, black | 6000.0224 |
| Cord Sets 10 A, uninsulated wires, 2.0 m, Connector IEC C13, H05VV-F3G1.0, black | 6000.0214 |
| Cord Sets 10 A, United Kingdom, 2.5 m, Connector IEC C13, H05VV-F3G1.0, black | 6044.0215 |

...

[Power Supply or Interconnection Cord Overview complete](#)



| | |
|--|-----------|
| Cord Sets 10 A, United Kingdom, 2.0 m, Connector IEC H05VV-F3G1.0, black | 6044.0204 |
|--|-----------|

Mating Outlets/Connectors shuttered



[Connector Overview complete](#)

| | |
|--|------|
| 4783 Mounting: Power Cord, 3 x 1 mm ² / 3 x 18 AWG, Cable, Connector: IEC C13 | 4783 |
|--|------|



[Power Cord Overview complete](#)

| | |
|---|---------|
| VAC13KS, Overview, V-Lock cord retaining, diverse Connector IEC C13, diverse, black | VAC13KS |
| VAC17KS, V-Lock cord retaining, diverse m, Connector IEC C17, diverse, black / grey / white | VAC17KS |