

IEC Appliance Inlet C18, Screw-on Mounting, Rear Side, PCB Terminal



C18

 70 °C

**Description**

- Panel Mount:
Screw-on from rear side
- 1 Function:

- Appliance Inlet, Pin temperature 70 °C, Protection class II
- For PCB mounting

Approvals

- VDE Certificate Number: 40011871
- UL File Number: E96454
- CSA File Number: 27324

References

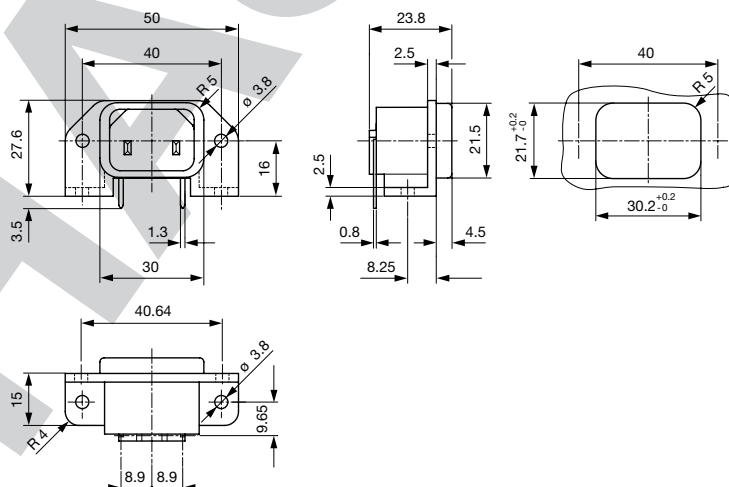
We recommend for new applications the type [GSP1](#)
 Last order possibility: 31.05.2011

Weblinks

[pdf-datasheet](#), [html-datasheet](#), [General Product Information](#), [Approvals](#), [CE declaration of conformity](#), [RoHS](#), [CHINA-RoHS](#), [Mating Connectors](#), [e-Shop](#), [SCHURTER-Stock-Check](#), [Distributor-Stock-Check](#), [CAD-Drawings](#), [Accessories](#), [Mounting instruction](#), [Detailed request for product](#)

Technical Data

Ratings IEC	10A / 250VAC; 50Hz	Appliance Inlet	C18 acc. to IEC 60320
Ratings UL/CSA	15A / 250VAC; 60Hz		UL 498, CSA C22.2 no. 42 (for cold conditions) pin-temperature 70 °C, 10A, Protection Class II
Dielectric Strength	> 3 kVAC between L-N > 1.5 kVAC between L/N-PE (1 min/50Hz)		
Allowable Operation Temp.	-25 °C to 70 °C		
Degree of Protection	from front side IP 20 acc. to IEC 60529		
Protection Class	Suitable for appliances with protection class II acc. to IEC 61140		
Terminal	For PCB mounting		
Material: Housing	PA6, black / grey / white, UL 94V-0		

Dimensions

Length of the terminal please find at the order code configuration table

Config. Code

1005 - H - A B C 0 - D - E

The characters are placeholders for the correspondingly keys of selections from the key tables.

1005 - H - A B C 0 - D - E = Type

Type	Configuration key
protection class 2	B

1005 - H - A B C 0 - D - E = Terminals

Terminal L	Configuration key
PCB-terminal (standard) 	4

1005 - H - A B C 0 - D - E = Terminals

Terminal N	Configuration key
PCB-terminal (standard)	4

Symbols similar as in table A

1005 - H - A B C 0 - D - E = Terminals

Terminal Ground	Configuration key
without terminal	0

Symbols similar as in table A

1005 - H - A B C 0 - D - E = Color

Color	Configuration key
Black	A
Grey	B
White	D

1005 - H - A B C 0 - D - E = Style

Style	Configuration key
flange with through holes	2
flange with through holes (special type)	7

Packaging unit 50 Pcs

Mating Outlets/Connectors

Category / Description

Connector Overview complete



IEC Connector C15, Rewireable, Straight	0101
IEC Connector C15A, Rewireable, Straight	0102
IEC Connector C15A, Rewireable, Straight	0102-G
IEC Connector C15A, Rewireable, Angled	0112
IEC Connector C13, Rewireable, Angled	4012
Connector further types to 1005	...

Power Cord Overview complete



Power Cord with IEC Connector C17, Angled	0301
Power Cord with IEC Connector C13, Angled	0311
Power Cord with IEC Connector C13, Angled	3011
Power Cord with IEC Connector C13, Angled	3012
Power Cord with IEC Connector C13, Angled	3013
Power Cord further types to 1005	...